

Mechanical Dial Comparators



1002



1003

DIN 879-1



1004



1003 XL

DIN 879-1



1003T**

DIN 879-1



Technical Data

	Measuring range	Readings	Overtravel	Measuring force	DIN 879-1	Order no. Standard*	Order no. Waterproof**
Metric							
1002	± 25 µm	0.5 µm	2.8 mm	1 N	●	4335000	4335005
1003	± 50 µm	1 µm	2.8 mm	1 N	●	4334000	4334005
1003	± 50 µm	1 µm	2.8 mm	0.3 N	●	4334075	
1003	± 50 µm	1 µm	2.8 mm	0.5 N	●	4334050	
1003	± 50 µm	1 µm	2.8 mm	0.7 N	●	4334071	
1003	± 50 µm	1 µm	2.8 mm	2 N	●	4334010	
1003	± 50 µm	1 µm	2.8 mm	3 N	●	4334011	
1003 XL	± 130 µm	2 µm	2.5 mm	1 N	●	4334001	
1004	± 0.13 mm	5 µm	2.5 mm	1 N		4333000	4333005
1010	± 0.25 mm	0.01 mm	2.5 mm	1 N		4332000	4332005
1050	± 1.5 mm	0.05 mm	0.3 mm	1 N		4330000	4330005
Inch							
1002 Z	± 0.0010"	0.00002"	0.11"	1 N	●	4335900	4335905
1003 Z	± 0.0020"	0.00005"	0.11"	1 N	●	4334900	4334905
1004 Z	± 0.0050"	0.0001"	0.10"	1 N		4333900	4333905
1010 Z	± 0.0100"	0.0005"	0.10"	1 N		4332900	4332905

* Incl. Plastic Case; Adapter 940 (for inch instruments only)

** IP54, Incl. Plastic Case, Splash Guard Cover 957, Rubber Bellows (only for 1002/1003/1004); Adapter 940 (for inch instruments only)

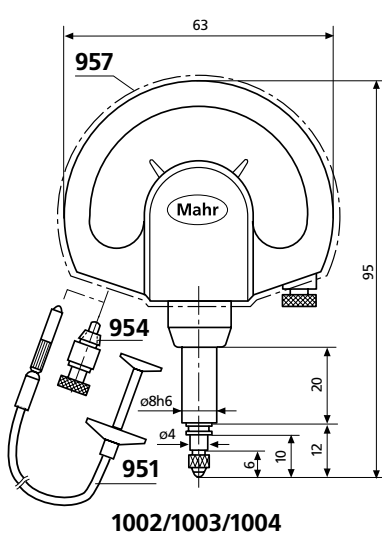
Mechanical Dial Comparators



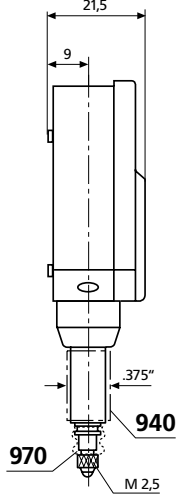
1010



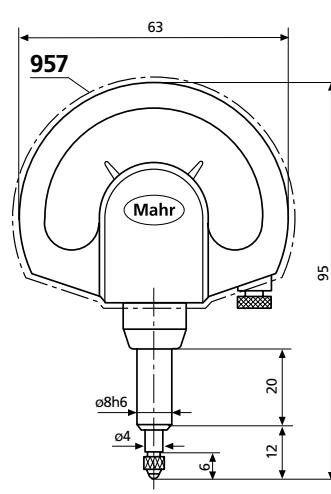
1050



1002/1003/1004



1010/1050



Accessories

	Order no.
Adapter Bush for adapting mounting shank 8h6 mm to inch bore .375"	940 4310103
Cable Release to raise the measuring spindle	951 4372000
Lifting Knob for lifting the measuring spindle	954 4372030
Splash Guard Cover	957 4373030
Rubber Bellows for 1002/1003/1004 to seal the open end of the measuring spindle	970 4334786
Mounting Lug to mount on mounting shank 8h6 mm	963 4375002

Additional Accessories	Page
Contact Points	901-913 5-58
Special Holder	941 5-59
Sensor Lever	943 5-59

