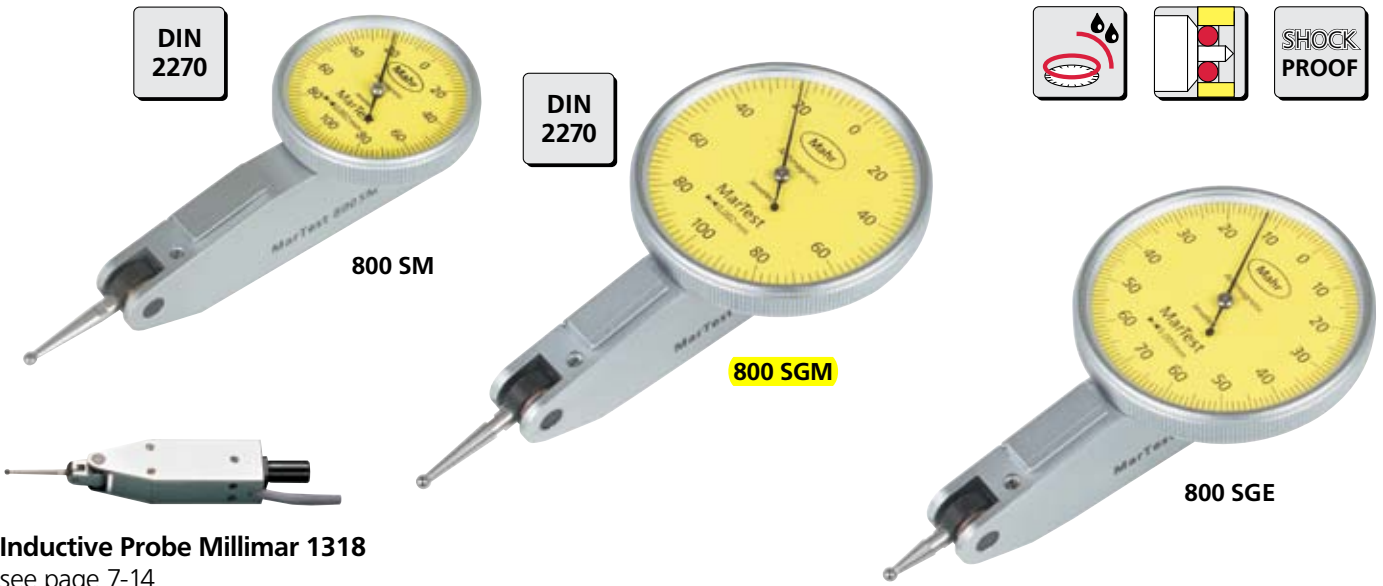


MarTest with resolution 0.002 mm/0.001 mm for higher accuracy



Inductive Probe Millimar 1318
see page 7-14

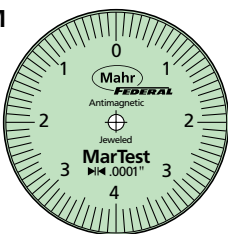
Technical Data

	Measuring range	Readings	Dial dia.	Measuring force	Length of styli	Order no.	Order no. with kit
800 SM	± 0.1 mm	0.002 mm	27.5 mm	0.15 N	14.5 mm	4308150	2015315
800 SGM	± 0.1 mm	0.002 mm	38 mm	0.15 N	14.5 mm	4308200	2015314
800 SGE	± 0.07 mm	0.001 mm	38 mm	0.2 N	9.1 mm	4308220	2015345
801 SM	± .004"	.0001"	1.1"	0.15 N	14.5 mm	4308960	2015321
801 SGM	± .004"	.0001"	1.5"	0.15 N	14.5 mm	4308970	2015322
801 SGE	± .004"	.00005"	1.5"	0.15 N	14.5 mm	4308985	2015323

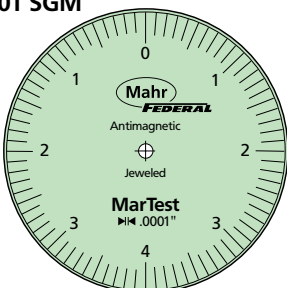
Supplied with:

Plastic storage case, spanner for changing the styli, styli dia. 2 mm, mounting shaft 800 a8 (for metric versions)

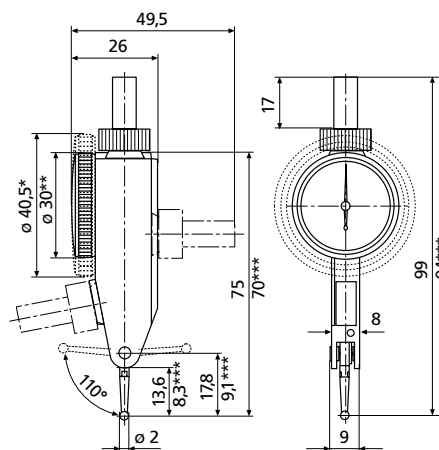
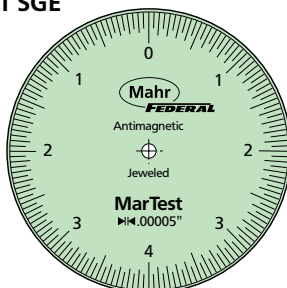
801 SM



801 SGM



801 SGE



* 800 SGM, 800 SGE, 801 SGM, 801 SGE
** 800 SM, 801 SM
*** 800 SGE