

MarTest with extra long styli for measuring in even difficult to access positions



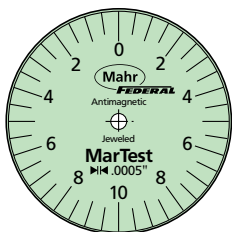
Technical Data

	Measuring range	Readings	Dial dia.	Measuring force	Length of styli	Order no.	Order no. with kit
800 SL	± 0.25 mm	0.01 mm	27.5 mm	0.07 N	41.24 mm	4306200	2015312
800 SGL	± 0.25 mm	0.01 mm	38 mm	0.07 N	41.24 mm	4306250	2015313
800 SGB	± 0.5 mm	0.01 mm	38 mm	0.1 N	32.3 mm	4301300	2015346
801 SL	± .010"	.0005"	1.1"	0.07 N	41.24 mm	4306950	2015319
801 SGL	± .010"	.0005"	1.5"	0.07 N	41.24 mm	4306960	2015320

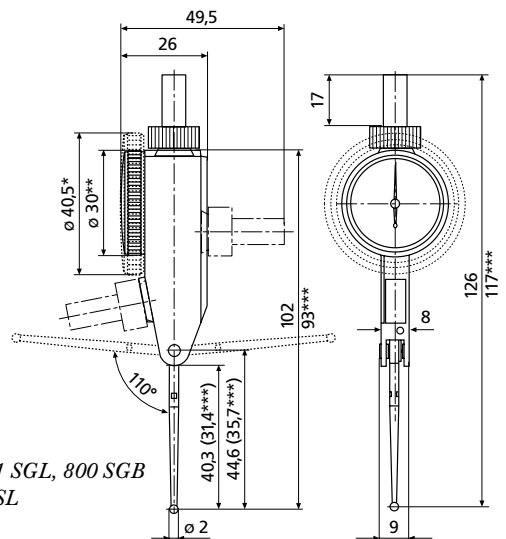
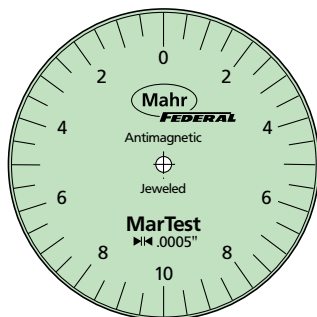
Supplied with:

Plastic storage case, spanner for changing the styli, styli dia. 2 mm, mounting shaft 800 a8 (for metric versions), mounting shaft 800 a3/8 (for inch versions), mounting shaft 800 a6 (800 SGB)

801 SL



801 SGL



* 800 SGL, 801 SGL, 800 SGB
 ** 800 SL, 801 SL
 *** 800 SGB