



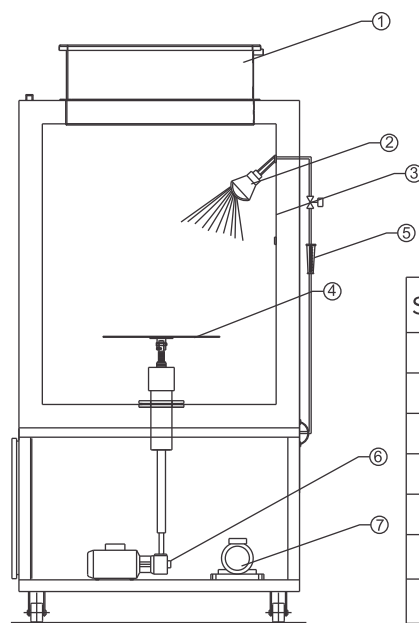
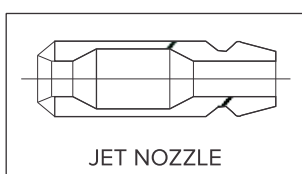
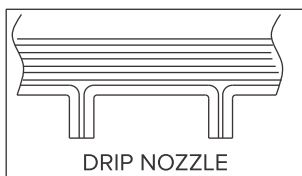
RAIN TEST CHAMBER

The AQUA rain test chambers are designed for the simulation of rain / water spray as per IEC-60529, IS-9000 Part XVI-1983 and JIS-D 0203-1976 with features like fully non-corrosive interior and exterior. Characteristic water flow patterns as per IPX1 – IPX4 and R1, R2, S1 & S2 standards



Rain Test Chambers

Parameters	Rain Test Chamber Models		
	AQUA-1000	AQUA-3500	AQUA-8000
Work Space (W x D x H) (mm)	1000 x 1000 x 1000	1500 x 1500 x 1500	2000 x 2000 x 2000
Exterior Dimensions Wx D x H	1350 x 1400 x 2500	1850 x 1850 x 3000	2450 x 2450 x 3500



FRONT VIEW

SL No	Descriptions
1	Drip tank IPX 1-2
2	Showers IPX 3-4
3	Outer & Inner FRP
4	Rotating table
5	Flow meter
6	Gear motor
7	Water Motor

Custom Built Rain Testing Facilities

Rain test chambers are built to meet different international standards; the features are carefully designed keeping this in perspective.



Rain Testing facility

Testing of electrical insulators

9 zones containing 324 nozzles at 15 mtrs from ground

Standard IEC-60060-1



Rain Testing facility

Testing of passenger vehicles

6 zones containing 216 nozzles

Flow rate at 15 Ltrs/min