



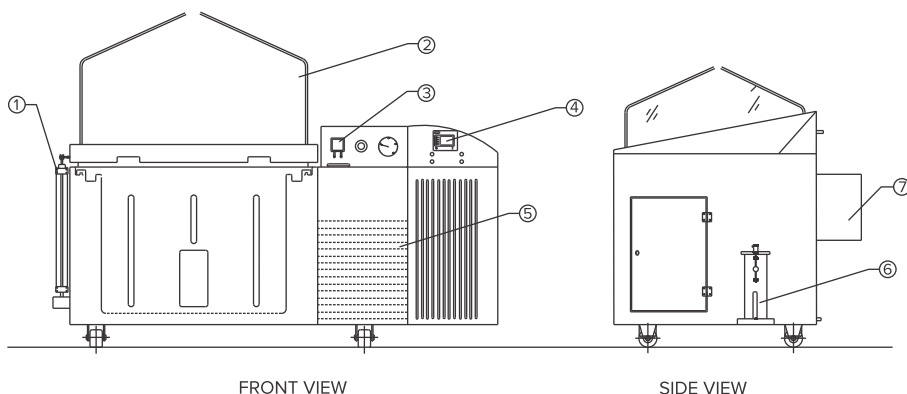
Corrosion Test Chamber

The SILVERFOG corrosion test chambers are designed to meet the requirements of all major international test standards.

The chamber is manufactured using non-metallic materials such as FRP, PVC, and Nylon, ensuring a highly reliable and rugged system.



Parameters	Corrosion Test Chamber							
	SILVER FOG 250 Basic / CCT		SILVER FOG 450 Basic / CCT		SILVER FOG 1000 Basic / CCT		SILVER FOG 2000 Basic / CCT	
External Dimensions (WXDXH) (mm)	1975 x 900 x 1250	1975 x 1200 x 1250	2025 x 1100 x 1525	2025 x 1400 x 1525	2775 x 1100 x 1600	2775 x 1400 x 1600	3175 x 1600 x 1600	3175 x 1900 x 1600
Internal Dimensions (WXDXH) (mm)	800 x 500 x 1090		850 x 700 x 1365		1600 x 700 x 1440		2000 x 1200 x 1440	
Internal Work Space Volume (L)	570		960		1850		3710	
Internal Dimensions Without (WXDXH) (mm)	800 x 500 x 550		850 x 700 x 800		1600 x 700 x 800		2000 x 1200 x 800	
Internal Dimensions Without Volume (L)	250		450		896		2000	
Solution Reservoir (L)	130		245		265		265	
Type of Controller	PID Micro Controller	enviCom™ Controller	PID Micro Controller	enviCom™ Controller	PID Micro Controller	enviCom™ Controller	PID Micro Controller	enviCom™ Controller
Salt Spray/Fog/Mist/Dwell	Applicable To All Products							
High Humidity/Dry/Spray Header/Controlled Humidity/Refrigeration	Applicable To All Products							



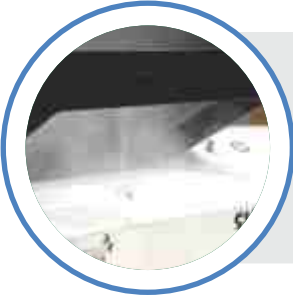
SL No	Descriptions
1	Pneumatic cylinder
2	Acrylic dome
3	Peristaltic pump
4	HMI controller
5	Solution reservoir
6	Saturator
7	Air heater box

OFFERING RELIABILITY AND COMMITMENT TO ENVIRONMENTAL TESTING



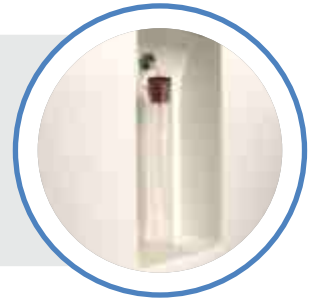
Corrosion Resistance : As the chamber is used for accelerated corrosion tests and simulating other highly corrosive environments, the chamber is completely built using non-metallic materials such as FRP, Acrylic, PU and Nylon.

Pneumatic Door Lift : The canopy door is fitted with a pneumatic door lift to assist the user in easy specimen loading and unloading.



Atomizer: A high precision nozzle atomizes the salt solution to generate a uniform fine fog with accurate and repeatable testing results. The nozzle is made up of acrylic and easy to maintain.

Remote Fall Out Collection : The fall out rate of the salt solution can be collected without any interruption of the test by connecting the jar outside.



Solution Reservoir & Pump : The solution reservoir is provided within the chamber and easily accessible from the front of the chamber. The peristaltic pump provides a reliable and accurate metering of the salt solution to the atomizer.

Operating system Basic : The Silverfog basic chambers are provided with a PID based controller and saturator temperature controller. With the cyclic timer provided the user can set the interval of salt spray exposure and dwell cycles.



Operating system CCT : The Silverfog CCT (Cyclic Corrosion Test) chambers are provided with a 5.7" TFT color touch screen, high performance PID control, 4GB internal memory and a web enabled control interface.