

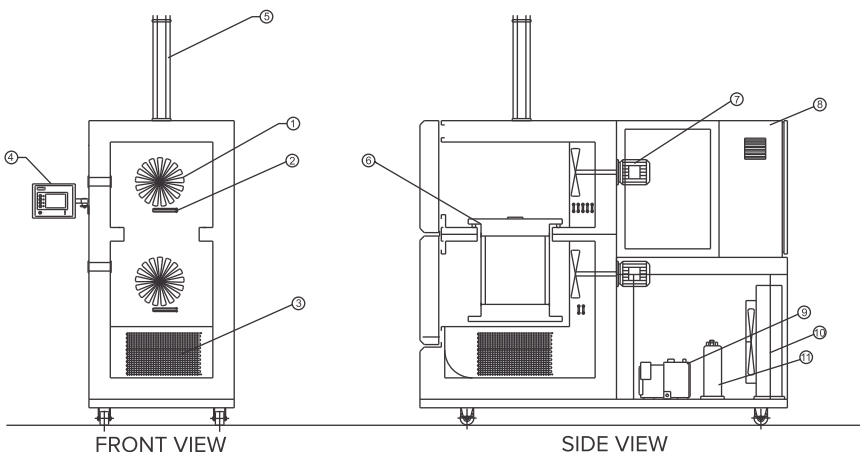
THERMAL SHOCK CHAMBER

The KINETIC series of chambers are designed for the most stringent thermal shock tests such as MIL & IEC.

The test basket is transferred between the hot & cold zones using an electro pneumatic system and has rapid recovery rates of temperature.

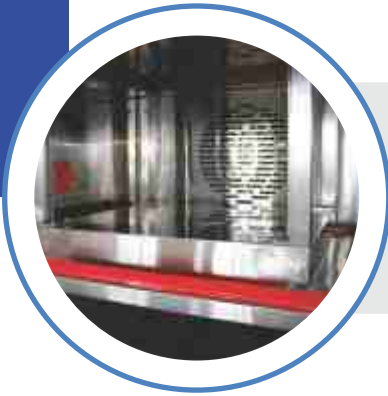


Parameters	Thermal Shock Chambers		
	KINETIC-25-B2	KINETIC-64-B2	KINETIC-120-B2
Internal Basket/Test (W x D x H)(mm)	250 x 250 x 400	400 x 400 x 400	550 x 550 x 400
External Basket/Test (W x D x H)(mm)	1050 x 2000 x 1700	1200 x 2150 x 1850	1350 x 2300 x 1850
Hot Zone (°C)	60 to 200		
Cold Zone (°C)	-70 to 0		
Basket Transition Time (Sec)	< 10		
Basket Movement	VERTICAL or HORIZONTAL		



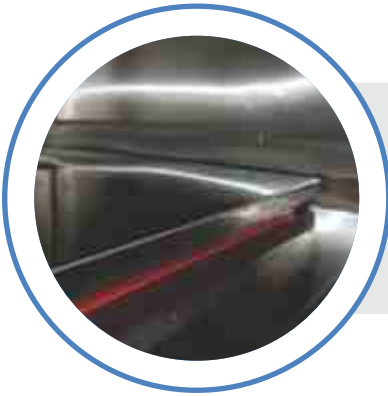
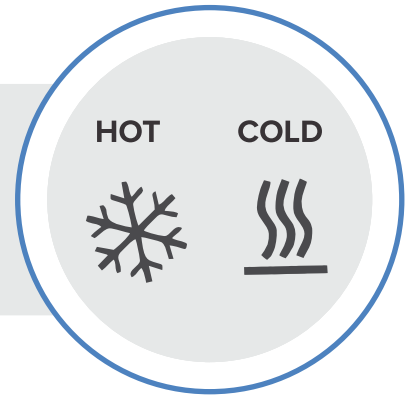
SL No	Descriptions
1	Fan blade
2	Air heater
3	Evaporator coil
4	HMI-Controller
5	Pneumatic cylinder
6	Basket
7	Fan motor
8	Control panel
9	Compressor
10	Condenser
11	Oil Separator

Standards : Compliance to all major standards such as IEC 60749-25 (JESD22-A104-D) , IEC 60068-2-14 , JIS C 60068-2-14 , DIN EN 60068-2-14 , BS EN 60068-2-14 , IEC-61747-5 (EIAJ ED-2531A) , MIL-STD-202 method 107G , MIL-STD-883 (method 1010.8)



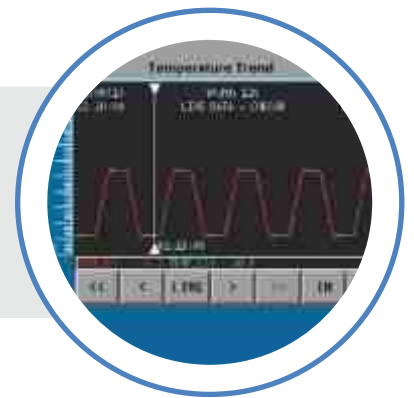
Test basket : The test basket is pneumatically operated and guided with rails for a vibration free transfer.

Faster Recovery : Specially designed test basket of low thermal mass with a powerful temperature conditioning unit enables the chamber to achieve faster recovery rates.



Thermal Insulation : The hot and cold zones are sealed with specially designed gaskets to minimize leakage between the two zones.

Continuous operation : The Kinetic series are designed to operate in the most demanding tropical environments. Chambers are provided with options of air cooled and water cooled condensers.



enviCoM™ Controller : Is built with a 5.7" TFT color touch screen, high performance PID control, 4GB internal memory and a web 'enabled control interface.